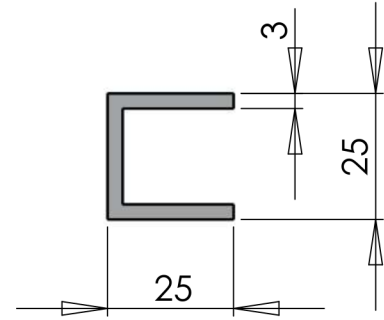
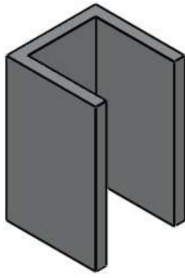
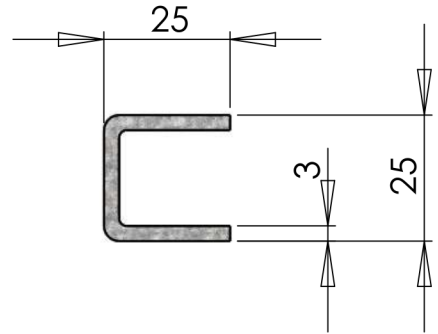
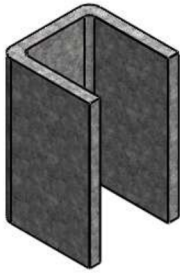


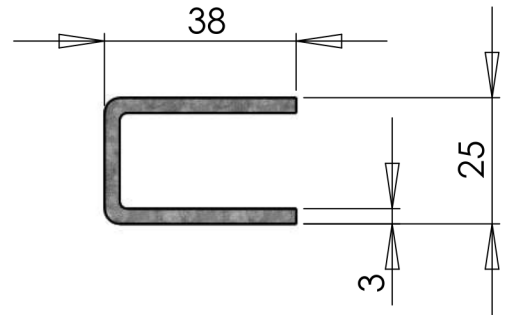
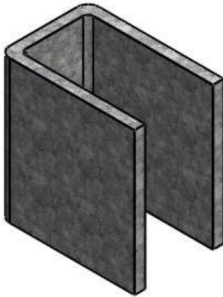
25X25mm ALUMINIUM GUIDE



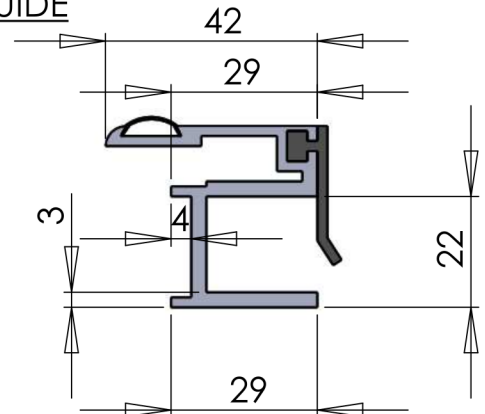
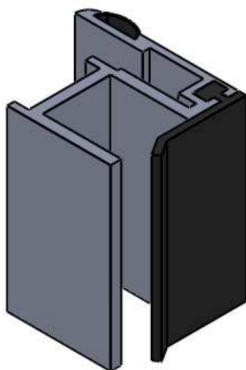
25X25mm STEEL GUIDE



38X25mm STEEL GUIDE



2EA BOX SEALED GUIDE



2EA BOX ROLLER SHUTTER GUIDES

SCALE  
NTS

AUSTRAL MONSOON ENTERPRISES PTY LTD  
ATF 'THE ANSA TRUST' TRADING AS  
**ANSA DOORS**

*CONFIDENTIAL NOTE: This drawing and its designs, specifications and engineering information disclosed hereon are the property of ANSA DOORS and are not to be disseminated or reproduced without express written consent. The drawing is loaned in confidence and then only for consideration of the matter hereon. In accepting loan of this drawing, the recipient agrees to keep it and the matter disclosed hereon in confidence and not to use nor permit their use in any way detrimental to ANSA DOORS.*

DRAWN  
H.P.L.Y

71-73 Maffra Street  
Coolaroo, Victoria 3048  
Australia  
Phone: (03) 9302 3366

P.O Box 201  
Dallas, Victoria 3047  
Australia  
Fax: (03) 9302 3966

DATE  
28/01/11

DWG No:  
ANSA-TS0003D