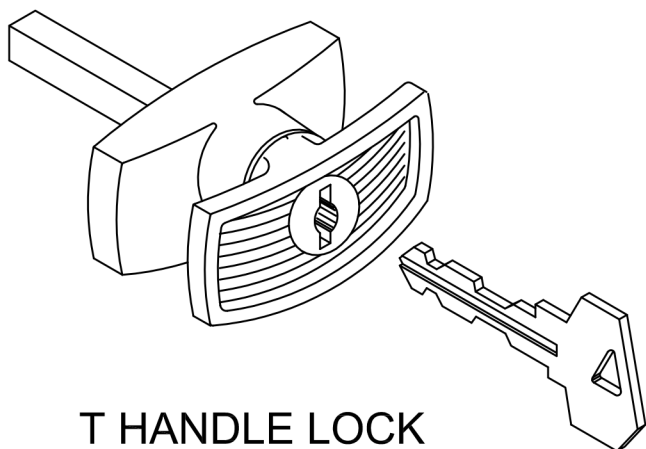
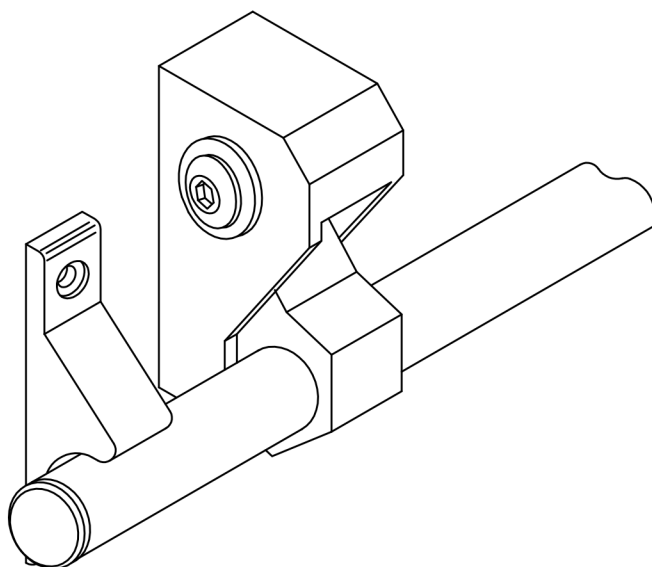


2EA BOX SHUTTER LOCKING OPTIONS

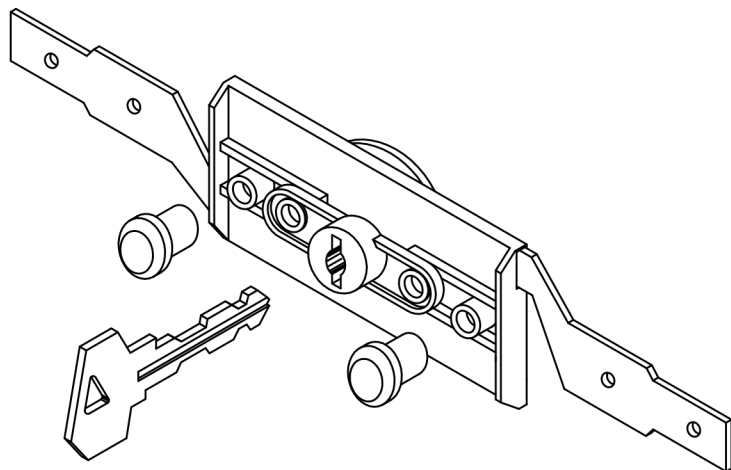
SLIDING CONFIGURATION



T HANDLE LOCK



LIFTING BAR LOCK



L & F - FLUSH LOCK

2EA BOX SLIDING LOCKING OPTIONS

SCALE

NTS

AUSTRAL MONSOON ENTERPRISES PTY LTD
ATF 'THE ANSA TRUST' TRADING AS
ANSA DOORS

71-73 Maffra Street
Coolaroo Victoria 3048
Australia

P.O Box 201
Dallas, Victoria 3047
Australia

Phone: (03) 9302 3366

Fax: (03) 9302 3966

DATE
01/01/11

DWG No: ANSA-TS0002D

CONFIDENTIAL NOTE: This drawing and its designs, specifications and engineering information disclosed hereon are the property of ANSA DOORS and are not to be disseminated or reproduced without express written consent. The drawing is loaned in confidence and then only for consideration of the matter disclosed hereon. In accepting loan of this drawing, the recipient agrees to keep it and the matter disclosed hereon in confidence and not to use nor permit their use in any way detrimental to ANSA DOORS.