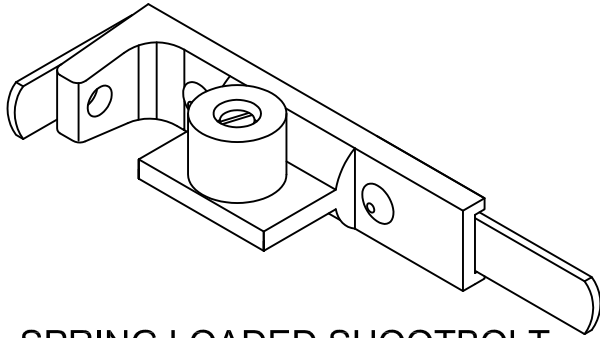
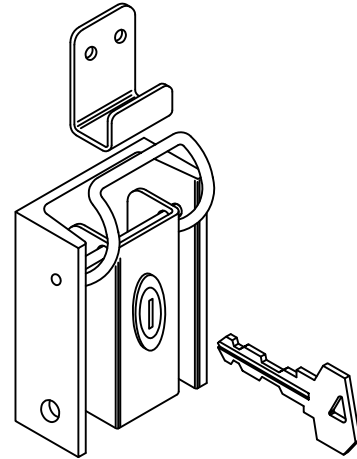


2EA ALUMINIUM SHUTTER LOCKING OPTIONS

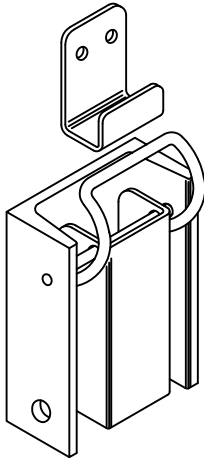
ROLLING CONFIGURATION



SPRING LOADED SHOOTBOLT



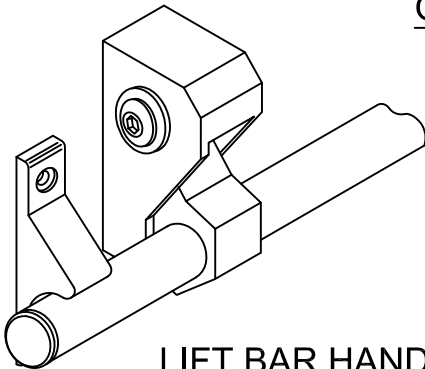
OVERCENTRE LOCK (WITH KEY)



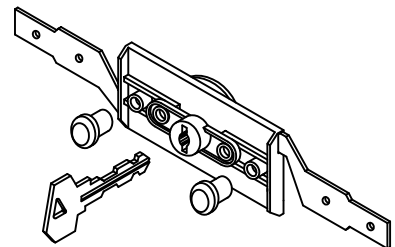
OVERCENTRE LOCK (NO KEY)

LIFTING BAR HANDLE WITH

OPTIONAL - L & F FLUSH LOCK



LIFT BAR HANDLE



L & F - FLUSH LOCK

2EA ALUMINIUM SHUTTER LOCKING OPTIONS

SCALE

NTS

AUSTRAL MONSOON ENTERPRISES PTY LTD
ATF 'THE ANSA TRUST' TRADING AS
ANSA DOORS

71-73 Maffra Street
Coolaroo Victoria 3048
Australia

P.O Box 201
Dallas, Victoria 3047
Australia

Phone: (03) 9302 3366

Fax: (03) 9302 3966

CONFIDENTIAL NOTE: This drawing and its designs, specifications and engineering information disclosed hereon are the property of ANSA DOORS and are not to be disseminated or reproduced without express written consent. The drawing is loaned in confidence and then only for consideration of the matter disclosed hereon. In accepting loan of this drawing, the recipient agrees to keep it and the matter disclosed hereon in confidence and not to use nor permit their use in any way detrimental to ANSA DOORS.

DRAWN

H.P.LY

DATE

01/01/11

DWG No:

ANSA-TS0002E